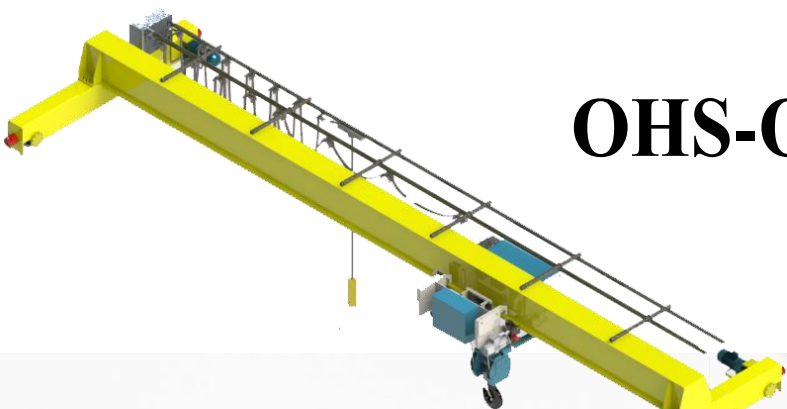


OLATCRANE

Single Girder Overhead Crane



OHS-OVERHEAD CRANE



HENAN OLAT CRANE MACHINERY EQUIPMENT CO., LTD

Address: Room1510, Zone A, 348 Pingyuan Road, Hong qi District, Xinxiang City, Henan Province, China

Email:sale@olatcrane.com Website: www.olatcrane.com TEL: +86 0373 3801 229




► About OLAT Crane

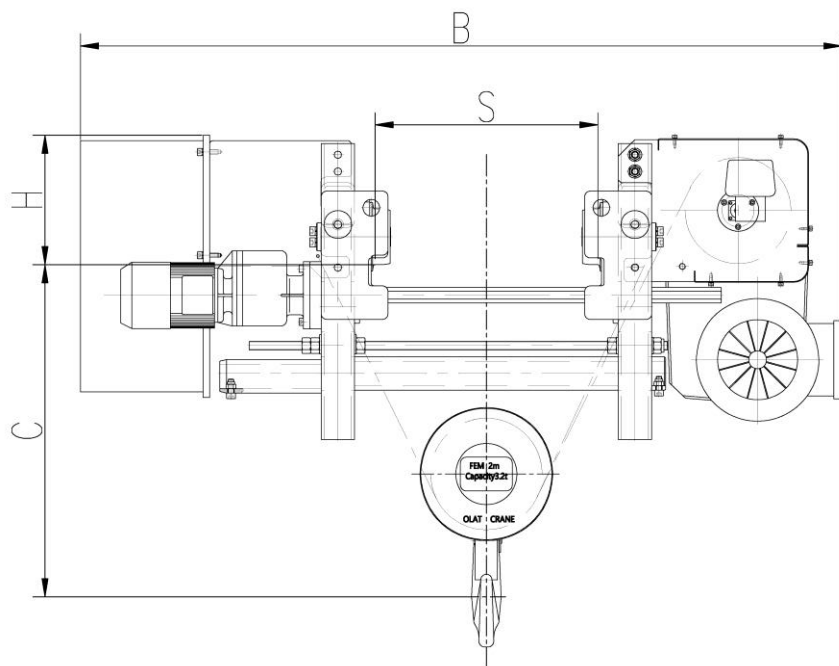
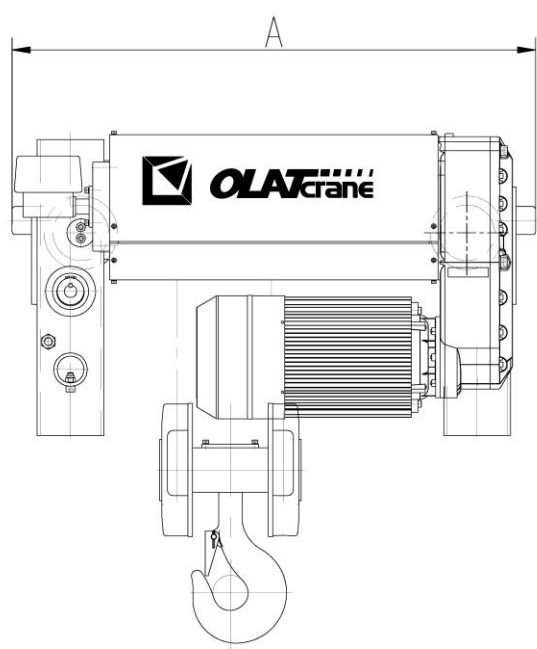
- Henan OLATCRANE Machinery Equipment Co., Ltd is located in Xinxiang City Henan Province, the biggest crane and accessories manufacturing base in China. Specialized in crane and accessories design and manufacturing, we have passed ISO 9001:2000, CE, and SGS.
- Up to now, we have exported cranes to Saudi Arabia, Australia, Nigeria, Russia, Uzbekistan, Philippines, Bangladesh, Qatar, Tanzania, Singapore, Brazil and etc.
- Many clients all over the world, even the best-known companies in the world, such as Italy IMF Group (the biggest complete set of foundry equipment supplier in the world), choose OLAT Crane.



General

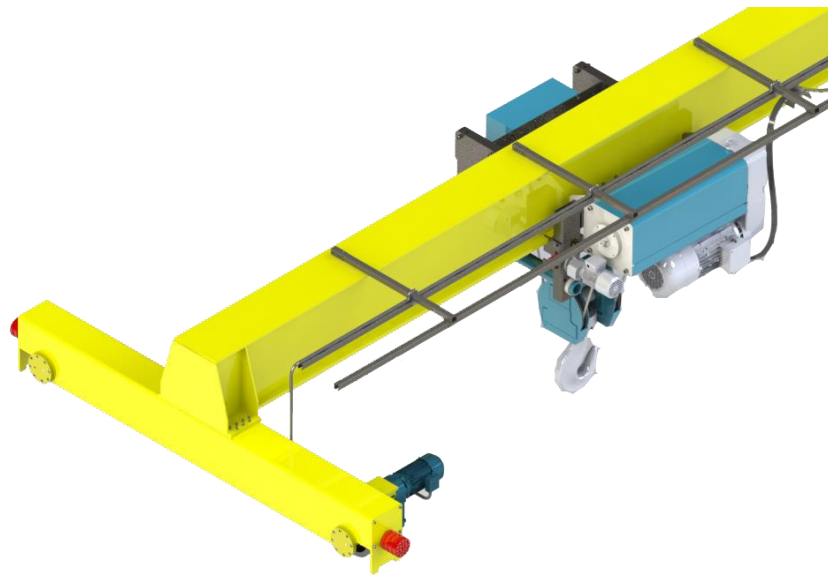
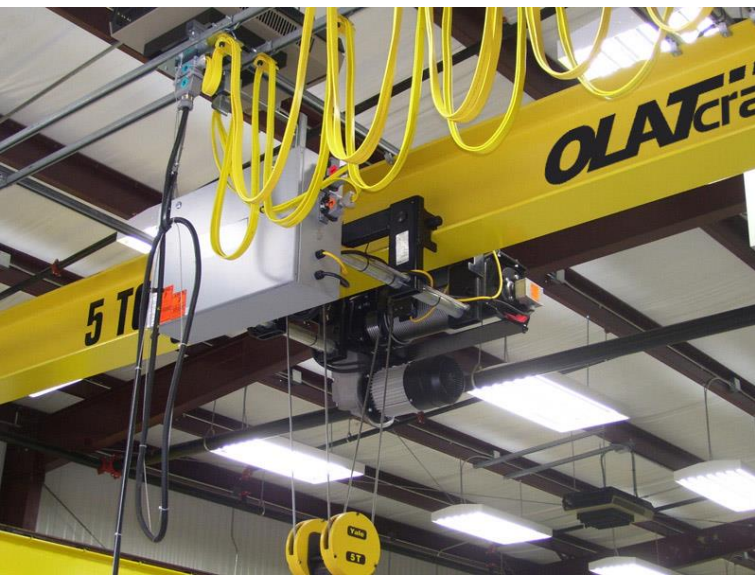
1. Rope drum deep-grooved with heavy-duty rope guide as standard.
2. Heavy-duty DC disc brake rated at 200% torque, provides quick, positive stops and loading.
3. Motors designed and manufactured specifically for hoisting service.
4. Steel compound tread wheels for long life and use on either wide-flange or “S” beams. One wheel on each side of trolley driven for positive tracking.
5. All controls housed in IP54 enclosure with easily accessible electrical components.
6. Triple reduction hoist gearing in all oil tight gear case
7. Heavy steel frame provides a solid foundation and positive alignment of key components.
8. Low headroom design assures maximum hook travel.
9. Trolley is easily adjustable to handle a wide range of beam flange widths.
10. Upper/lower geared limit switch is standard for regulated load travel.
11. Two-Speed hoist and trolley control for smooth acceleration and precise load positioning.

<p style="text-align: center;">HOIST GEARCASE & MOTOR</p> <p>Triple reduction hoist gearing is oil bath lubricated, operating in an oil-tight, cast aluminum gear case. The gear case is conveniently located to allow ease of access in the air, while providing a low headroom design with maximum lift. The motor is two-speed with a 6:1 ratio from high to low speed; giving a low speed or precise load handling and a high speed for fast throughput.</p>	
<p style="text-align: center;">WIRE ROPE DRUM AND ROPE GUIDE</p> <p>The wire rope drum is machined from quality steel, deep-grooved with a rope guide to help ensure the rope stays in the grooves.</p>	
<p style="text-align: center;">DRUM, REEVING AND LOWER BLOCK</p> <p>Hoist is reeved to a low-headroom design lower block for minimum headroom and maximum lift. Wire rope is secured to the drum with three heavy ductile iron clamps and designed to have their extra wraps of wire rope on the drum with the rope at full extension (low hook).</p>	
<p style="text-align: center;">TRUNNION STYLE BLOCK AND HOOK</p> <p>Each hoist comes with a bearing mounted trunnion hook that rotates 360 and swings back and forth 180 for easier load adjustment.</p>	
<p style="text-align: center;">UPPER/LOWER GEARED LIMIT SWITCH</p> <p>The hoist is provided with an upper/lower, geared control circuit hoist motion limit switch as standard. An additional block-operated upper control circuit limit switch is available as an option.</p> <p>Hoist overcapacity limit switch</p> <p>A hoist overcapacity limit switch is provided as standard to prevent lifting excessive overloads.</p>	
<p style="text-align: center;">TROLLEY TRAVERSE DRIVE</p> <p>Two wheels are driven; one on each side of the frame for maximum traction and uniform tracking. Traverse motor drives a right-angle worm gear reducer for smooth starting and stopping.</p>	
<p style="text-align: center;">CONTROL PANEL</p> <p>Hoist and trolley controls are housed in a common IP54 enclosure with the following features as standard</p> <ul style="list-style-type: none"> *Phase-loss detection/protection. *Motor line fusing *Fused control circuit transformer *Hoist motion monitor *Motor thermal overloads *Hoist over capacity limit switch *All components are of the highest quality and the panel design meets EN and IEC. 	



The Dimesions of OH-Electric Hoist

Type	Lifting Capacity [T]	Lifting Height	Working Level FEM/IS	Lifting Speed [m/min]	Lifting Power [Kw]	Travelling Speed [m/min]	Travelling Power [Kw]	Size H [mm]	Size C [mm]	Size A [mm]	Size B [mm]	Size S [mm]
OH02-4106ES	2	6	3m/M6	5/0.8	3.2/0.45	5-20	0.37	245	385	932	1087-1587	200-500
OH02-4109ES	2	9	3m/M6	5/0.8	3.2/0.45	5-20	0.37	245	385	1082	1087-1587	200-500
OH02-4112ES	2	12	3m/M6	5/0.8	3.2/0.45	5-20	0.37	245	385	1282	1087-1587	200-500
OH02-4118ES	2	18	3m/M6	5/0.8	3.2/0.45	5-20	0.37	245	385	1682	1087-1587	200-500
OH03-4106ES	3.2	6	2m/M5	5/0.8	3.2/0.45	5-20	0.37	245	385	932	1087-1587	200-500
OH03-4109ES	3.2	9	2m/M5	5/0.8	3.2/0.45	5-20	0.37	245	385	1082	1087-1587	200-500
OH03-4112ES	3.2	12	2m/M5	5/0.8	3.2/0.45	5-20	0.37	245	385	1282	1087-1587	200-500
OH03-4118ES	3.2	18	2m/M5	5/0.8	3.2/0.45	5-20	0.37	245	385	1682	1087-1587	200-500
OH05-4106ES	5	6	2m/M5	5/0.8	6.1/1	5-20	0.5	266	495	940	1095-1395	200-500
OH05-4109ES	5	9	2m/M5	5/0.8	6.1/1	5-20	0.5	266	495	1090	1095-1396	200-500
OH05-4112ES	5	12	2m/M5	5/0.8	6.1/1	5-20	0.5	266	495	1290	1095-1397	200-500
OH05-4118ES	5	18	2m/M5	5/0.8	6.1/1	5-20	0.5	266	495	1690	1095-1398	200-500
OH10-4106ES	10	6	2m/M5	5/0.8	9.5/1.5	5-20	0.75	296	792	940	1282-1582	200-500
OH10-4109ES	10	9	2m/M5	5/0.8	9.5/1.5	5-20	0.75	297	792	1090	1282-1582	200-500
OH10-4112ES	10	12	2m/M5	5/0.8	9.5/1.5	5-20	0.75	298	792	1290	1282-1582	200-500
OH10-4118ES	10	18	2m/M5	5/0.8	9.5/1.5	5-20	0.75	299	792	1690	1282-1582	200-500
OH12-4106ES	12.5	6	1AM/M4	5/0.8	12.5/2	5-20	0.75	300	792	940	1282-1582	200-500
OH12-4109ES	12.5	9	1AM/M4	5/0.8	12.5/2	5-20	0.75	301	792	1090	1282-1582	200-500
OH12-4112ES	12.5	12	1AM/M4	5/0.8	12.5/2	5-20	0.75	302	792	1290	1282-1582	200-500
OH12-4118ES	12.5	18	1AM/M4	5/0.8	12.5/2	5-20	0.75	303	792	1690	1282-1582	200-500



OHS-Single Girder Overhead Crane

HENAN OLAT CRANE MACHINERY EQUIPMENT CO., LTD

Address: Room1510, Zone A, 348 Pingyuan Road, Hong qi District, Xinxiang City, Henan Province, China

Email:sale@olatcrane.com Website: www.olatcrane.com TEL: +86 0373 3801 229